



ACPSB-P Series 60Hz

Rooftop Units

Cooling Capacity : 30 to 1360 MBH (9 to 398 kW)

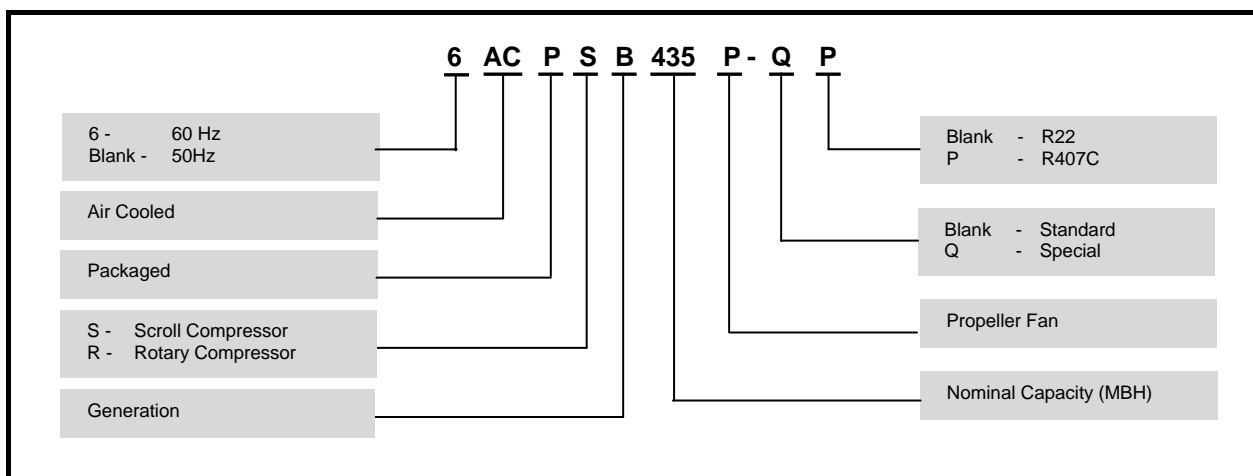


R₂₂
R_{407C}

DUNHAM-BUSH

Products that perform...By people who care

NOMENCLATURE



AIR-COOLED PACKAGE UNITS

GENERAL DESCRIPTION

The 6ACPSB-P series with new features is suitable for hotel, office, hospital, school, factory and supermarket applications. The low noise and compact series are completely leak tested, evacuated, dehydrated and charged with refrigerant prior to shipment.

Scroll Compressor(s)

Reliability

- ✦ No contact scroll design that minimizes friction, increases volumetric efficiency and reduces vibration, thus longer service life.
- ✦ Suction gas cooled motor.

Low Power Consumption:

- ✦ High EER.
- ✦ No crankcase heater required.

Class F Insulation Condenser Fan Motor

- ✦ Extra safety margin and longer motor life even in extreme operating conditions.
- ✦ IP 55 construction ensure extra motor protection (6ACPSB 68P to 1520P).
- ✦ Low motor speed at 1140 rpm ensures quiet condenser fan operation.

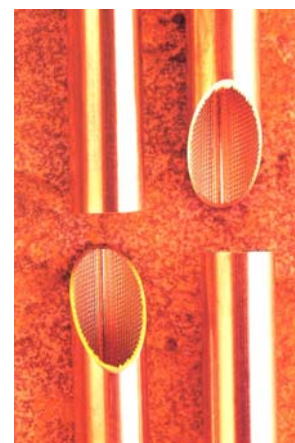
Multiple Compressor

(250P and above)

- ✦ By cycling off compressor operation to match building load, no energy is being wasted when room load requires lesser cooling capacity.
- ✦ No total shut down when servicing or repairing a faulty compressor.

Efficient Condenser Coil

- ✦ Staggered row of 3/8"OD inner groove tubes with 25 to 30% more surface area guarantee better heat transfer.
- ✦ Mechanically expanded into die-formed corrugated aluminum fins.
- ✦ Integral subcooling circuit to maximize efficiency.
- ✦ Leak and pressure tested to 450 psig.



AIR-COOLED PACKAGE UNITS

Fully Leak Tested Refrigerant Circuit

- ✦ Compressor, condenser coil, filter drier, sightglass, thermo-expansion valve, distributor and evaporator coil is brazed in complete sealed loop.
- ✦ Leak and pressure tested at 450 psig.
- ✦ Pressure ports are provided on the discharge, liquid and suction line.
- ✦ Evacuated, dehydrated and charge with refrigerant gas prior to shipment.

Safety Control

- ✦ High-low pressure cutout to protect compressor from high discharge pressure and system leakage.

Casing

- ✦ Constructed from heavy gauge galvanized steel.
- ✦ Panels are painted with epoxy powder paint for excellent finish, weatherability and corrosion resistance.
- ✦ Evaporator section is insulated with 1 x 1 1/2 lb per.cu.ft of linacoustic fiberglass.

Efficient Evaporator Coil

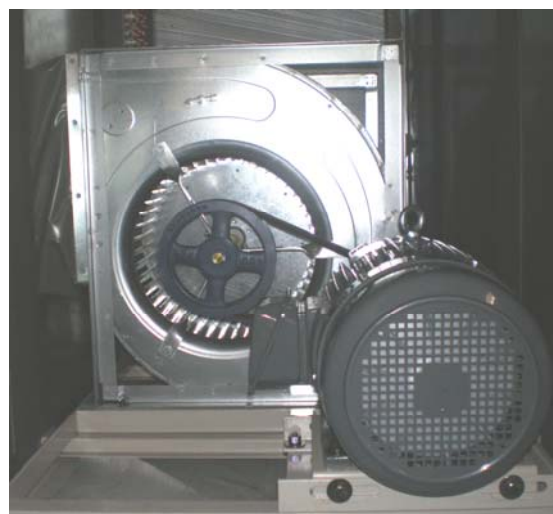
- ✦ Independent thermal expansion valve with external equalizer for better refrigerant control and wider load condition.
- ✦ Leak and pressure tested to 450 psig
- ✦ Evacuated, dehydrated and charged with refrigerant gas.

Drive Package and Blowers

- ✦ Belt driven drive package offers flexibility on various air flow rate and various static pressure applications (160P and above).
- ✦ Single large diameter double inlet double width blowers (AMCA certified) reduce the noise level and eliminates the need for common transition and eliminates air unbalance.

Filters

- ✦ 1" thick with side loading for model 30P to 145P.
- ✦ 2" thick with side loading for model 160P and above.



OPTIONAL ACCESSORIES FEATURES

- ✦ Factory wired starters
 - DOL for compressors and fan motors.
 - Auto-transformer for compressors.
- ✦ Suction stop valve(s), discharge stop valve(s) and liquid stop valve(s).
- ✦ Fan staging of multiple fans for head pressure control.
- ✦ Thermostat
- ✦ Hydrophilic fins, or copper fins for better corrosion resistance.
- ✦ Hot gas by pass for low load and low ambient conditions.
- ✦ Hot water heating coils.
- ✦ Electric heaters.
- ✦ R407C refrigerant instead of R22.



PHYSICAL DATA

Model	Compressor					Condenser Coil		Condenser Fan				Evaporator Blower			Evaporator Coil		Air Filter		R-22 Charge	Approx. Operating Weight (Lbs)	
	Qty	Power Supply	MRA Each	LRA Each	NRA Each	Face Area Ft²	Rows/ FPI	Qty	Blade Dia. Each	Mtr. Hp Each	Mtr FLA	Blower		Mtr MAX HP	Fan Cfm Min-Max Cfm	Face Area Ft²	Row/ FPI	Qty	Size (Inch)		Qty. X Lbs Per Comp.
												Qty	Size (Inch)								
6ACPRB 30P	1	230-1-60Hz	-	1x82	1x12.5	4.6	2/16	1	18	1/5	1.3	1	9x7	0.6	650 1280	2.1	3/12	1	16x25x1	1x3.5	550
6ACPRB 40P	1	230-1-60Hz	-	1x62	1x16.4	7.2	2/16	1	18	1/5	1.3	1	9x7	0.6	920 1800	3.1	3/12	1	20x25x1	1x3.7	600
6ACPSB 50P	1	460-3-60Hz	-	1x45	1x6.8	8.3	2/14	1	20	1/5	1.3	1	9x9	0.6	1100 2200	3.7	3/12	1	20x25x1	1x4.8	650
6ACPSB 68P	1	460-3-60Hz	-	1x56	1x8.2	8.3	2/12	1	26	5/8	1.6	1	9x9	1.0	1400 2800	4.7	3/12	2	16x25x1	1x5.9	1100
6ACPSB 81P	1	460-3-60Hz	-	1x45	1x9.3	9.4	2/14	1	26	5/8	1.6	1	10x10	1.0	1550 3100	5.2	3/12	1	16x25x1 20x25x1	1x8.3	1200
6ACPSB 95P	1	460-3-60Hz	1x15.0	1x100	1x11.0	10.9	2/16	1	26	5/8	1.6	1	10x10	1.0	1550 3100	5.2	4/12	1	16x25x1 20x25x1	1x9.9	1300
6ACPSB 108P	1	460-3-60Hz	1x15.6	1x95.0	1x12.8	14.2	2/16	1	26	5/8	1.6	2	10x10	0.75	1850 3600	6.1	4/12	2	20x25x1	1x12.3	1500
6ACPSB 125P	1	460-3-60Hz	1x16.8	1x114	1x14.1	14.2	3/14	1	26	5/8	1.6	2	10x10	0.75	2000 3900	6.6	4/12	2	20x25x1	1x13.2	1600
6ACPSB 145P	1	460-3-60Hz	1x19.6	1x125	1x16.3	16.3	3/16	1	26	5/8	1.6	2	10x10	1.0	2600 5100	8.5	4/12	2	20x25x1	1x17.6	1750
6ACPSB 160P	1	460-3-60Hz	1x22.3	1x125	1x18.2	19.5	2/16	2	26	5/8	1.6	1	15x15	5.5	3500 7000	11.7	3/12	2	20x20x2 20x25x2	1x16.0	2100
6ACPSB 190P	1	460-3-60Hz	1x25.6	1x158	1x19.1	19.5	3/12	2	26	5/8	1.6	1	15x15	5.5	3500 7000	11.7	4/12	2	20x20x2 20x25x2	1x23.8	2300
6ACPSB 220P	1	460-3-60Hz	1x30.0	1x187	1x24.1	19.5	3/16	2	26	5/8	1.6	1	15x15	5.5	3700 7300	12.3	4/12	2	20x20x2 20x25x2	1x25.3	2600
6ACPSB 250P	2	460-3-60Hz	2x16.8	2x114	2x14.1	27.4	3/16	2	26	5/8	1.6	1	18x13	7.5	4400 8700	14.6	4/12	4	25x25x2	2x13.2	2800
6ACPSB 290P	2	460-3-60Hz	2x19.6	2x125	2x16.3	27.4	4/16	2	26	5/8	1.6	1	18x13	7.5	5000 10000	16.7	4/12	4	25x25x2	2x17.6	3000
6ACPSB 320P	2	460-3-60Hz	2x22.3	2x125	2x18.2	37.5	3/14	3	26	5/8	1.6	1	18x18	10.0	5850 11600	19.4	4/12	2	16x25x2 20x25x2	2x16.0	4000
6ACPSB 380P	2	460-3-60Hz	2x25.6	2x158	2x19.1	37.5	4/14	3	26	5/8	1.6	1	18x18	10.0	6700 13400	22.6	4/12	3	16x20x2 20x20x2	2x23.8	4400
6ACPSB 435P	2	460-3-60Hz	2x30.0	2x187	2x24.1	40.0	4/16	3	26	5/8	1.6	1	450x450	20.0	7000 14000	23.3	4/12	3	16x20x2 20x20x2	2x25.3	4700
6ACPSB 480P	3	460-3-60Hz	3x22.3	3x125	3x18.2	48.3	3/14	4	26	5/8	1.6	1	500x500	20.0	8900 17900	29.7	3/12	2	20x20x2 20x25x2 25x25x2	3x16.0	5500
6ACPSB 510P	3	460-3-60Hz	3x25.6	3x158	3x19.1	48.3	3/16	4	26	5/8	1.6	1	500x500	20.0	8900 17900	29.7	3/13	2	20x20x2 20x25x2 25x25x2	3x23.8	5700
6ACPSB 570P	3	460-3-60Hz	2x25.6 1x30.0	2x158 1x187	2x19.1 1x24.1	48.3	4/14	4	26	5/8	1.6	1	500x500	20.0	8900 17900	29.7	4/10	2	20x20x2 20x25x2 25x25x2	2x23.8 1x25.3	5950
6ACPSB 640P	3	460-3-60Hz	3x30.0	3x187	3x24.1	65.3	3/12	4	31.5	1 1/2	3.2	1	560x560	30.0	10000 20000	33.4	4/10	4	20x20x2 20x25x2	3x25.3	6500
6ACPSB 700P	4	460-3-60Hz	4x25.6	4x158	4x19.1	65.3	3/14	4	31.5	1 1/2	3.2	1	560x560	30.0	10000 20000	33.4	4/12	4	20x20x2 20x25x2	4x23.8	6650
6ACPSB 760P	4	460-3-60Hz	2x25.6 2x30.0	2x158 2x187	2x19.1 2x24.1	65.3	4/12	4	31.5	1 1/2	3.2	1	560x560	30.0	10400 20800	34.7	4/12	4	20x20x2 20x25x2	2x23.8 2x25.3	6750
6ACPSB 800P	4	460-3-60Hz	4x30.0	4x187	4x24.1	94.0	3/16	4	31.5	1 1/2	3.2	1	630x630	40.0	13500 27000	45.1	4/10	4	20x20x2 20x25x2 25x25x2	4x25.3	7000
6ACPSB 890P	5	460-3-60Hz	5x25.6	5x158	5x19.1	94.0	4/14	4	31.5	1 1/2	3.2	1	630x630	40.0	14000 28000	46.9	4/12	4	20x20x2 20x25x2 25x25x2	5x23.8	7100
6ACPSB 960P	6	460-3-60Hz	6x22.3	6x125	6x18.2	94.0	4/16	4	31.5	1 1/2	3.2	1	630x630	40.0	14500 29000	48.6	4/12	4	20x20x2 20x25x2 25x25x2	6x16.0	7250
6ACPSB 1020P	6	460-3-60Hz	2x25.6 4x22.3	2x158 4x125	2x19.1 4x18.2	123.0	3/16	6	31.5	1 1/2	3.2	1	710x710	40.0	16600 33300	55.6	4/10	12	20x20x2 20x25x2	4x16.0 2x23.8	8350
6ACPSB 1140P	6	460-3-60Hz	4x25.6 2x30.0	4x158 2x187	4x19.1 2x24.1	123.0	4/14	6	31.5	1 1/2	3.2	1	710x710	40.0	19000 38300	63.9	4/10	20	20x25x2	4x23.8 2x25.3	9400
6ACPSB 1340P	6	460-3-60Hz	6x30.0	6x187	6x24.1	129.0	4/16	6	31.5	1 1/2	3.2	1	800x800	50.0	21600 43300	72.2	4/10	8	20x20x2 20x25x2	6x25.3	10400
6ACPSB 1520P	8	460-3-60Hz	6x25.6 2x30.0	6x158 2x187	6x19.1 2x24.1	129.0	4/16	6	31.5	1 1/2	3.2	1	800x800	50.0	21600 43300	72.2	5/10	8	20x20x2 20x25x2	6x23.8 2x25.3	11000

- Notes: 1.) Condenser fan motors voltage is 220/240-1-60Hz for model 30 to 50. 4.) LRA- Locked Rotor Amp.
2.) Blower motor for model 30 to 145 is 220/240-1-60Hz and direct drive. 5.) NRA- Nominal Running Amp.
3.) Minimum-maximum voltage is 432V to 488V. 6.) MRA- Maximum Running Amp.
7.) FLA- Full Load Amp.
8.) 6ACPRB 30P and 40P are rotary compressors.



SYSTEM COOLING CAPACITY

PERFORMANCE DATA

R22

UNIT MODEL	STD. CAPACITY MBH	AIR ON EVAP.		AIR TEMPERATURE ON CONDENSER COIL - °F								
		CFM	WB TEMP. °F	75			95			115		
				TOTAL MBH ¹	SENS MBH ²	KW ³	TOTAL MBH ¹	SENS MBH ²	KW ³	TOTAL MBH ¹	SENS MBH ²	KW ³
6ACPRB 30P	30.0	1000	72	34.9	16.2	2.4	33.1	15.6	2.8	31.0	15.0	3.1
			67	32.3	20.5	2.3	30.0	19.6	2.7	28.7	19.2	3.0
			62	29.8	24.7	2.2	28.2	24.1	2.5	26.4	23.4	2.8
			57	27.7	27.7	2.1	26.1	26.1	2.4	24.1	24.1	2.7
6ACPRB 40P	40.0	1400	72	46.6	22.4	3.1	44.2	21.6	3.6	41.4	20.7	4.0
			67	43.1	28.3	3.0	40.0	27.0	3.4	38.3	26.5	3.8
			62	39.7	34.1	2.9	37.6	33.2	3.3	35.2	32.3	3.6
			57	36.9	36.9	2.7	34.8	34.8	3.1	32.1	32.1	3.5
6ACPSB 50P	50.0	1600	72	58.2	28.5	3.9	55.2	27.5	4.4	51.7	26.3	5.0
			67	53.9	36.0	3.7	50.0	34.4	4.3	47.9	33.7	4.7
			62	49.6	43.4	3.6	47.0	42.3	4.1	44.0	41.1	4.5
			57	46.1	46.1	3.5	43.5	43.5	3.9	40.1	40.1	4.3
6ACPSB 68P	60.7	2000	72	68.2	36.9	4.2	64.4	35.1	4.5	60.7	31.8	4.7
			67	65.1	49.4	4.1	60.7	46.1	4.4	57.5	43.8	4.6
			62	59.3	59.3	3.9	55.6	55.6	4.3	52.4	52.4	4.5
			57	52.4	52.4	3.9	48.7	48.7	4.3	46.1	46.1	4.5
6ACPSB 81P	73.0	2400	72	81.8	44.3	5.1	77.2	42.0	5.5	72.8	38.0	5.8
			67	78.0	59.2	5.0	73.0	55.3	5.4	68.8	52.4	5.7
			62	71.1	64.0	4.8	66.6	60.0	5.3	62.8	56.5	5.5
			57	62.9	62.9	4.8	58.4	58.4	5.2	55.3	55.3	5.5
6ACPSB 95P	85.9	2600	72	96.6	52.9	5.9	91.0	49.9	6.3	85.9	47.1	6.6
			67	92.2	70.3	5.7	85.9	65.6	6.2	81.4	62.2	6.5
			62	84.1	84.1	5.7	78.8	78.8	6.1	74.3	74.3	6.4
			57	74.3	74.3	5.5	69.0	69.0	6.0	65.3	65.3	6.3
6ACPSB 108P	100.0	3200	72	112.4	61.6	6.9	106.0	58.0	7.3	100.0	54.8	7.7
			67	107.3	81.8	6.7	100.0	76.3	7.2	94.8	72.3	7.6
			62	97.9	97.9	6.6	91.7	91.7	7.1	86.4	86.4	7.5
			57	86.4	86.4	6.4	80.3	80.3	7.1	76.0	76.0	7.4
6ACPSB 125P	112.5	3500	72	125.5	69.1	7.5	119.3	65.0	8.0	111.6	61.3	8.4
			67	119.8	91.2	7.3	112.5	85.0	8.0	105.8	80.4	8.4
			62	109.2	109.2	7.2	103.1	102.3	7.8	96.5	96.5	8.2
			57	96.5	96.5	7.1	90.2	89.5	7.7	84.8	84.8	8.1
6ACPSB 145P	130.3	4000	72	145.4	71.6	8.5	133.2	67.4	9.1	129.3	63.5	9.6
			67	138.8	94.5	8.3	130.3	88.1	9.1	122.5	83.3	9.6
			62	126.5	113.2	8.2	119.4	106.0	8.9	111.8	100.0	9.3
			57	111.8	100.0	8.1	104.5	92.8	8.8	98.2	87.9	9.2
6ACPSB 160P	150.0	4600	72	169.0	99.0	10.3	159.3	93.3	11.0	150.2	87.8	11.5
			67	161.2	134.1	9.9	150.0	120.9	10.9	142.4	118.5	11.4
			62	147.2	147.2	9.8	137.8	137.8	10.7	129.9	129.9	11.1
			57	129.9	129.9	9.7	120.4	120.4	10.5	114.2	114.2	11.0
6ACPSB 190P	170.0	4800	72	191.4	94.6	11.7	180.3	98.4	12.5	170.0	92.9	13.1
			67	182.6	137.9	11.4	170.0	128.5	12.3	161.3	121.8	12.9
			62	166.5	166.5	11.2	155.9	155.9	12.1	147.2	147.2	12.7
			57	147.2	147.2	11.0	136.5	136.5	11.9	129.3	129.3	12.6
6ACPSB 220P	200.0	5400	72	226.2	134.9	13.6	213.1	127.2	14.4	200.0	119.1	15.3
			67	212.1	180.0	13.5	200.0	169.7	14.3	187.8	159.3	15.3
			62	196.0	196.0	13.3	185.8	185.8	14.2	173.7	173.7	15.2
			57	177.8	177.8	13.2	167.7	167.7	14.1	151.9	151.9	15.0
6ACPSB 250P	225.0	6400	72	251.0	136.0	15.2	236.6	128.1	16.2	223.2	120.8	16.9
			67	239.5	178.5	14.7	225.0	168.0	16.1	211.6	159.4	16.8
			62	218.5	210.9	14.5	204.6	204.6	15.7	193.0	193.0	16.5
			57	193.0	193.0	14.3	179.0	179.0	15.5	169.6	169.6	16.3
6ACPSB 290P	260.0	7500	72	290.0	149.5	17.7	273.1	140.7	18.8	256.4	132.2	20.0
			67	271.9	191.7	17.6	260.0	180.8	18.6	240.9	169.7	19.9
			62	250.9	230.9	17.3	238.2	219.0	18.6	222.7	204.6	19.8
			57	227.9	227.9	17.2	215.0	215.0	18.4	197.5	197.5	19.6
6ACPSB 320P	300.0	8000	72	339.4	173.8	20.6	319.8	163.8	21.9	300.0	153.8	23.2
			67	318.2	221.5	20.5	300.0	208.7	21.7	281.8	196.1	23.1
			62	294.0	265.2	20.1	278.7	242.4	21.5	251.4	235.3	23.0
			57	266.7	266.7	20.0	251.5	251.5	21.4	227.8	227.8	22.8

NOTES : 1.) RATINGS ARE GROSS CAPACITIES - FOR NET CAPACITIES, DEDUCT EVAPORATOR BLOWER MOTOR HEAT.
 2.) AT 80 °F (26.6°C) AIR ON EVAPORATOR.
 3.) COMPRESSOR KW INPUT



SYSTEM COOLING CAPACITY

PERFORMANCE DATA

R22

SINGLE COND. UNIT MODEL	STD. CAPACITY MBH	AIR ON EVAP.		AIR TEMPERATURE ON CONDENSER COIL - °F								
		CFM	WB TEMP. °F	75			95			115		
				TOTAL MBH ¹	SENS MBH ²	KW ³	TOTAL MBH ¹	SENS MBH ²	KW ³	TOTAL MBH ¹	SENS MBH ²	KW ³
6ACPSB 380P	350.0	9200	72	393.4	209.6	24.1	370.7	197.5	25.5	349.7	186.3	27.1
			67	375.2	276.2	23.9	350.0	257.4	25.4	331.4	244.1	27.0
			62	342.2	334.2	23.5	320.7	313.1	25.2	302.5	295.4	26.8
			57	302.5	302.5	23.3	280.4	280.4	25.0	265.7	265.7	26.6
6ACPSB 435P	390.0	11500	72	436.8	211.4	27.4	413.4	200.9	29.1	390.0	182.4	30.9
			67	417.3	282.8	27.2	390.0	264.3	29.1	370.5	251.1	30.7
			62	382.2	340.9	26.7	358.8	317.2	28.7	335.4	301.3	30.6
			57	335.4	335.4	26.6	312.0	312.0	28.4	296.4	296.4	30.3
6ACPSB 480P	435.0	12000	72	491.2	253.6	29.8	462.6	238.8	31.6	434.1	224.0	33.6
			67	460.3	380.0	29.6	435.0	306.0	31.4	407.9	287.5	33.4
			62	425.4	382.9	29.1	403.4	363.1	31.2	377.1	339.4	33.2
			57	386.0	386.0	28.9	363.9	363.9	30.9	341.8	341.8	33.0
6ACPSB 510P	460.0	14000	72	520.6	267.1	31.7	490.3	251.6	33.7	460.1	236.1	35.8
			67	488.0	339.1	31.5	460.0	319.9	33.4	432.2	300.4	35.7
			62	450.8	405.7	31.0	427.6	384.8	33.1	399.7	359.7	35.4
			57	409.0	409.0	30.7	385.7	385.7	33.0	362.4	362.4	35.1
6ACPSB 570P	510.0	15000	72	577.1	299.5	35.1	543.6	280.3	37.2	510.1	262.9	39.6
			67	541.1	445.4	34.8	510.0	358.7	37.0	479.2	337.0	39.4
			62	499.8	449.8	34.2	474.1	426.7	36.7	443.1	398.8	39.1
			57	453.4	453.4	34.0	427.6	427.6	36.4	401.8	401.8	38.8
6ACPSB 640P	580.0	16000	72	656.4	335.2	39.7	618.2	315.8	42.1	580.1	296.4	44.8
			67	615.3	424.0	39.4	580.0	399.7	41.8	545.0	375.5	44.5
			62	568.4	511.6	38.8	539.1	485.2	41.5	504.1	453.7	44.3
			57	515.7	515.7	38.6	486.4	486.4	41.2	457.1	457.1	43.9
6ACPSB 700P	640.0	17200	72	723.9	371.3	44.0	681.9	349.7	46.7	639.8	329.8	49.6
			67	678.7	471.7	43.7	640.0	444.9	46.3	600.8	417.9	49.4
			62	626.9	564.2	43.0	594.6	535.1	46.1	556.0	500.4	49.0
			57	568.7	568.7	42.7	536.4	536.4	45.7	504.1	504.1	48.7
6ACPSB 760P	690.0	18000	72	781.1	400.7	47.5	735.8	377.3	50.4	690.4	355.9	53.6
			67	732.4	509.0	47.2	690.0	480.1	50.1	648.3	451.0	53.4
			62	676.5	608.9	46.4	641.7	577.5	49.7	599.9	539.9	53.0
			57	613.7	613.7	46.1	578.8	578.8	49.3	543.9	543.9	52.6
6ACPSB 800P	740.0	19600	72	837.6	429.6	50.7	789.0	404.6	53.8	740.3	381.6	57.2
			67	785.3	545.8	50.4	740.0	514.7	53.4	695.2	483.6	56.9
			62	725.4	652.9	49.5	688.0	619.2	53.0	643.3	579.0	56.5
			57	658.0	658.0	49.2	620.7	620.7	52.6	583.4	583.4	56.1
6ACPSB 890P	810.0	21000	72	906.9	468.6	55.2	854.4	441.1	58.6	801.7	414.0	62.3
			67	850.2	574.2	54.9	810.0	565.5	58.2	753.1	531.2	62.0
			62	785.5	707.0	54.0	745.0	670.5	57.8	696.4	626.8	61.6
			57	712.6	712.6	53.5	672.2	672.2	57.3	631.8	631.8	61.1
6ACPSB 960P	880.0	23000	72	995.8	514.5	60.2	938.1	484.4	63.9	880.3	454.6	67.9
			67	933.6	630.4	59.8	880.0	621.0	63.5	826.9	583.3	67.7
			62	862.5	776.3	58.9	818.1	736.3	63.0	764.7	688.2	67.2
			57	782.5	782.5	58.4	738.0	738.0	62.5	693.5	693.5	66.6
6ACPSB 1020P	930.0	25800	72	1049.7	542.3	63.8	988.9	510.6	67.7	928.0	479.2	71.9
			67	984.1	664.6	63.3	930.0	654.6	67.2	871.7	614.8	71.6
			62	909.2	818.3	62.3	862.4	776.2	66.7	806.1	725.5	71.1
			57	824.8	824.8	61.8	778.0	778.0	66.2	731.2	731.2	70.6
6ACPSB 1140P	1020.0	26400	72	1153.8	596.1	70.2	1086.9	561.2	74.5	1019.9	526.7	79.1
			67	1081.7	730.4	69.7	1020.0	719.4	74.0	958.1	675.8	78.8
			62	999.3	899.4	68.6	947.8	853.0	73.4	886.0	797.4	78.2
			57	906.6	906.6	68.0	855.1	855.1	72.8	803.6	803.6	77.6
6ACPSB 1340P	1220.0	32000	72	1362.8	704.1	83.6	1283.8	662.9	88.8	1204.7	622.1	94.3
			67	1277.6	862.7	83.0	1220.0	849.8	88.2	1131.6	798.2	93.9
			62	1180.3	1062.3	81.7	1119.5	1007.6	87.5	1046.5	941.9	93.2
			57	1070.8	1070.8	81.0	1010.0	1010.0	86.8	949.2	949.2	92.5
6ACPSB 1520P	1360.0	36000	72	1541.5	796.4	93.6	1452.2	749.8	99.3	1362.7	703.7	105.5
			67	1445.2	975.9	92.9	1360.0	961.2	98.7	1280.0	902.9	105.1
			62	1335.1	1201.6	91.5	1266.3	1139.7	97.9	1183.7	1065.3	104.3
			57	1211.3	1211.3	90.7	1142.5	1142.5	97.1	1073.7	1073.7	103.5

NOTES : 1.) RATINGS ARE GROSS CAPACITIES - FOR NET CAPACITIES , DEDUCT EVAPORATOR BLOWER MOTOR HEAT.
 2.) AT 80 °F (26.6°C) AIR ON EVAPORATOR.
 3.) COMPRESSOR KW INPUT.



SYSTEM COOLING CAPACITY

PERFORMANCE DATA

R407C

UNIT MODEL	STD. CAPACITY MBH	AIR ON EVAP.		AIR TEMPERATURE ON CONDENSER COIL - °F								
		CFM	WB TEMP. °F	75			95			115		
				TOTAL MBH ¹	SENS MBH ²	KW ³	TOTAL MBH ¹	SENS MBH ²	KW ³	TOTAL MBH ¹	SENS MBH ²	KW ³
6ACPRB 30PP	29.3	1000	72	34.1	15.9	2.4	32.3	15.4	2.8	30.2	14.8	3.1
			67	31.6	20.2	2.3	29.3	19.3	2.7	28.0	19.0	3.0
			62	29.1	24.4	2.2	27.5	23.8	2.5	25.7	23.1	2.8
			57	27.1	27.1	2.1	25.5	25.5	2.4	23.5	23.5	2.7
6ACPRB 40PP	39.0	1400	72	45.5	22.0	3.1	43.1	21.3	3.6	40.4	20.4	4.0
			67	42.1	27.9	3.0	39.0	26.6	3.4	37.3	26.2	3.8
			62	38.8	33.7	2.9	36.7	32.8	3.3	34.3	31.9	3.6
			57	36.1	36.1	2.7	34.0	34.0	3.1	31.3	31.3	3.5
6ACPSB 50PP	48.8	1600	72	56.9	28.0	3.9	53.9	27.1	4.4	50.4	25.9	5.0
			67	52.7	35.5	3.7	48.8	34.0	4.3	46.7	33.3	4.7
			62	48.5	42.9	3.6	45.9	41.8	4.1	42.9	40.6	4.5
			57	45.0	45.0	3.5	42.5	42.5	3.9	39.1	39.1	4.3
6ACPSB 68PP	59.2	2000	72	66.6	36.3	4.2	62.9	34.5	4.5	59.2	31.3	4.7
			67	63.6	48.8	4.1	59.2	45.5	4.4	56.1	43.2	4.6
			62	57.9	57.9	3.9	54.3	54.3	4.3	51.1	51.1	4.5
			57	51.2	51.2	3.9	47.5	47.5	4.3	44.9	44.9	4.5
6ACPSB 81PP	71.2	2400	72	79.9	43.6	5.1	75.3	41.3	5.5	71.0	37.4	5.8
			67	76.2	58.4	5.0	71.2	54.6	5.4	67.1	51.7	5.7
			62	69.5	63.3	4.8	65.0	59.3	5.3	61.2	55.9	5.5
			57	61.5	61.5	4.8	57.0	57.0	5.2	53.9	53.9	5.5
6ACPSB 95PP	83.8	2600	72	94.4	52.1	5.9	88.8	49.1	6.3	83.8	46.3	6.6
			67	90.1	69.4	5.7	83.8	64.7	6.2	79.4	61.4	6.5
			62	82.2	82.2	5.7	76.9	76.9	6.1	72.4	72.4	6.4
			57	72.6	72.6	5.5	67.3	67.3	6.0	63.7	63.7	6.3
6ACPSB 108PP	97.6	3200	72	109.8	60.6	6.9	103.5	57.1	7.3	97.5	53.9	7.7
			67	104.8	80.7	6.7	97.6	75.3	7.2	92.4	71.4	7.6
			62	95.6	95.6	6.6	89.5	89.5	7.1	84.2	84.2	7.5
			57	84.4	84.4	6.4	78.4	78.4	7.1	74.1	74.1	7.4
6ACPSB 125PP	109.8	3500	72	122.6	68.0	7.5	116.4	64.0	8.0	108.8	60.3	8.4
			67	117.0	90.0	7.3	109.8	83.9	8.0	103.2	79.4	8.4
			62	106.7	106.7	7.2	100.6	100.6	7.8	94.1	94.1	8.2
			57	94.3	94.3	7.1	88.0	88.0	7.7	82.7	82.7	8.1
6ACPSB 145PP	127.2	4000	72	142.1	70.5	8.5	130.0	66.3	9.1	126.1	62.5	9.6
			67	135.6	93.3	8.3	127.2	87.0	9.1	119.4	82.2	9.6
			62	123.6	112.0	8.2	116.5	104.8	8.9	109.0	98.9	9.3
			57	109.2	109.2	8.1	102.0	91.9	8.8	95.7	87.0	9.2
6ACPSB 160PP	146.4	4600	72	165.1	97.4	10.4	155.5	91.8	11.1	146.4	86.4	11.6
			67	157.5	132.4	9.9	146.4	119.3	11.0	138.8	117.0	11.5
			62	143.8	143.8	9.8	134.5	134.5	10.8	126.7	126.7	11.2
			57	126.9	126.9	9.7	117.5	117.5	10.6	111.3	111.3	11.1
6ACPSB 190PP	165.9	4800	72	187.0	93.1	11.8	176.0	96.8	12.6	165.8	91.4	13.2
			67	178.4	136.1	11.5	165.9	126.8	12.4	157.3	120.2	13.0
			62	162.7	162.7	11.3	152.2	152.2	12.2	143.5	143.5	12.8
			57	143.8	143.8	11.1	133.2	133.2	12.0	126.1	126.1	12.7
6ACPSB 220PP	195.2	5400	72	221.0	132.7	13.7	208.0	125.2	14.5	195.0	117.2	15.4
			67	207.2	177.7	13.6	195.2	167.5	14.4	183.1	157.2	15.4
			62	191.5	191.5	13.4	181.3	181.3	14.3	169.4	169.4	15.3
			57	173.7	173.7	13.3	163.7	163.7	14.2	148.1	148.1	15.1
6ACPSB 250PP	219.6	6400	72	245.2	133.8	15.3	230.9	126.1	16.3	217.6	118.9	17.0
			67	234.0	176.2	14.8	219.6	165.8	16.2	206.3	157.3	16.9
			62	213.5	208.6	14.6	199.7	199.7	15.8	188.2	188.2	16.6
			57	188.6	188.6	14.4	174.7	174.7	15.6	165.4	165.4	16.4
6ACPSB 290PP	253.8	7500	72	283.3	147.1	17.8	266.5	138.4	18.9	250.0	130.1	20.1
			67	265.6	189.2	17.7	253.8	178.4	18.7	234.9	167.5	20.0
			62	245.1	228.4	17.4	232.5	216.6	18.7	217.1	202.3	19.9
			57	222.7	222.7	17.3	209.8	209.8	18.5	192.6	192.6	19.7
6ACPSB 320PP	292.8	8000	72	331.6	171.0	20.7	312.1	161.2	22.0	292.5	151.3	23.3
			67	310.9	218.6	20.6	292.8	206.0	21.8	274.8	193.6	23.2
			62	287.2	262.3	20.2	272.0	239.7	21.6	245.1	232.7	23.1
			57	260.6	260.6	20.1	245.5	245.5	21.5	222.1	222.1	22.9

NOTES : 1.) RATINGS ARE GROSS CAPACITIES - FOR NET CAPACITIES, DEDUCT EVAPORATOR BLOWER MOTOR HEAT.
 2.) AT 80 °F (26.6°C) AIR ON EVAPORATOR.
 3.) COMPRESSOR KW INPUT

SYSTEM COOLING CAPACITY

PERFORMANCE DATA

R407C

UNIT MODEL	STD. CAPACITY MBH	AIR ON EVAP.		AIR TEMPERATURE ON CONDENSER COIL - °F								
		CFM	WB TEMP. °F	75			95			115		
				TOTAL MBH ¹	SENS MBH ²	KW ³	TOTAL MBH ¹	SENS MBH ²	KW ³	TOTAL MBH ¹	SENS MBH ²	KW ³
6ACPSB 380PP	341.6	9200	72	384.4	206.2	24.2	361.8	194.3	25.6	341.0	183.3	27.2
			67	366.6	272.6	24.0	341.6	254.1	25.5	323.1	240.9	27.1
			62	334.3	330.5	23.6	313.0	309.7	25.3	294.9	292.2	26.9
			57	295.5	295.5	23.4	273.7	273.7	25.1	259.1	259.1	26.7
6ACPSB 435PP	380.6	11500	72	426.8	208.0	27.5	403.5	197.7	29.2	380.3	179.5	31.1
			67	407.7	279.1	27.3	380.6	260.9	29.2	361.2	247.8	30.9
			62	373.4	337.2	26.8	350.2	313.7	28.8	327.0	298.0	30.8
			57	327.7	327.7	26.7	304.5	304.5	28.5	289.0	289.0	30.5
6ACPSB 480PP	424.6	12000	72	479.9	249.5	29.9	451.5	235.0	31.8	423.2	220.4	33.8
			67	449.7	375.1	29.7	424.6	302.0	31.6	397.7	283.8	33.6
			62	415.6	378.7	29.2	393.7	359.1	31.4	367.7	335.7	33.4
			57	377.1	377.1	29.0	355.2	355.2	31.1	333.3	333.3	33.2
6ACPSB 510PP	449.0	14000	72	508.6	262.8	31.9	478.5	247.6	33.9	448.6	232.3	36.0
			67	476.8	334.7	31.7	449.0	315.7	33.6	421.4	296.5	35.9
			62	440.4	401.2	31.2	417.3	380.6	33.3	389.7	355.7	35.6
			57	399.6	399.6	30.9	376.4	376.4	33.2	353.3	353.3	35.3
6ACPSB 570PP	497.8	15000	72	563.8	294.7	35.3	530.6	275.8	37.4	497.3	258.7	39.8
			67	528.7	439.6	35.0	497.8	354.0	37.2	467.2	332.6	39.6
			62	488.3	444.9	34.4	462.7	422.0	36.9	432.0	394.4	39.3
			57	443.0	443.0	34.2	417.3	417.3	36.6	391.8	391.8	39.0
6ACPSB 640PP	566.1	16000	72	641.3	329.8	39.9	603.4	310.7	42.3	565.6	291.7	45.0
			67	601.1	418.5	39.6	566.1	394.5	42.0	531.4	370.6	44.7
			62	555.3	506.0	39.0	526.2	479.9	41.7	491.5	448.7	44.5
			57	503.8	503.8	38.8	474.7	474.7	41.4	445.7	445.7	44.1
6ACPSB 700PP	624.6	17200	72	707.3	365.4	44.2	665.5	344.1	46.9	623.8	324.5	49.8
			67	663.1	465.6	43.9	624.6	439.1	46.5	585.8	412.5	49.6
			62	612.5	558.0	43.2	580.3	529.2	46.3	542.1	494.9	49.2
			57	555.6	555.6	42.9	523.5	523.5	45.9	491.5	491.5	48.9
6ACPSB 760PP	673.4	18000	72	763.1	394.3	47.7	718.1	371.3	50.7	673.1	350.2	53.9
			67	715.6	502.4	47.4	673.4	473.9	50.4	632.1	445.1	53.7
			62	660.9	602.2	46.6	626.3	571.1	49.9	584.9	534.0	53.3
			57	599.6	599.6	46.3	564.9	564.9	49.5	530.3	530.3	52.9
6ACPSB 800PP	722.2	19600	72	818.3	422.7	51.0	770.1	398.1	54.1	721.8	375.5	57.5
			67	767.2	538.7	50.7	722.2	508.0	53.7	677.8	477.3	57.2
			62	708.7	645.7	49.7	671.5	612.4	53.3	627.2	572.6	56.8
			57	642.9	642.9	49.4	605.8	605.8	52.9	568.8	568.8	56.4
6ACPSB 890PP	790.6	21000	72	886.0	461.1	55.5	833.9	434.0	58.9	781.7	407.4	62.6
			67	830.6	566.7	55.2	790.6	558.1	58.5	734.3	524.3	62.3
			62	767.4	699.2	54.3	727.1	663.1	58.1	679.0	619.9	61.9
			57	696.2	696.2	53.8	656.1	656.1	57.6	616.0	616.0	61.4
6ACPSB 960PP	858.9	23000	72	972.9	506.3	60.5	915.6	476.6	64.2	858.3	447.3	68.2
			67	912.1	622.2	60.1	858.9	612.9	63.8	806.2	575.7	68.0
			62	842.7	767.8	59.2	798.5	728.2	63.3	745.6	680.6	67.5
			57	764.5	764.5	58.7	720.3	720.3	62.8	676.2	676.2	66.9
6ACPSB 1020PP	907.7	25800	72	1025.6	533.6	64.1	965.2	502.4	68.0	904.8	471.5	72.3
			67	961.5	656.0	63.6	907.7	646.1	67.5	849.9	606.8	72.0
			62	888.3	809.3	62.6	841.7	767.7	67.0	785.9	717.5	71.5
			57	805.8	805.8	62.1	759.3	759.3	66.5	712.9	712.9	71.0
6ACPSB 1140PP	995.5	26400	72	1127.3	586.6	70.6	1060.8	552.2	74.9	994.4	518.3	79.5
			67	1056.8	720.9	70.0	995.5	710.0	74.4	934.1	667.0	79.2
			62	976.3	889.5	68.9	925.1	843.6	73.8	863.9	788.6	78.6
			57	885.7	885.7	68.3	834.6	834.6	73.2	783.5	783.5	78.0
6ACPSB 1340PP	1190.7	32000	72	1331.5	692.8	84.0	1253.0	652.3	89.2	1174.6	612.1	94.8
			67	1248.2	851.5	83.4	1190.7	838.8	88.6	1103.3	787.8	94.4
			62	1153.2	1050.6	82.1	1092.6	996.5	87.9	1020.3	931.5	93.7
			57	1046.2	1046.2	81.4	985.8	985.8	87.2	925.5	925.5	93.0
6ACPSB 1520PP	1327.4	36000	72	1506.0	783.7	94.1	1417.3	737.8	99.8	1328.6	692.4	106.0
			67	1412.0	963.2	93.4	1327.4	948.7	99.2	1248.0	891.2	105.6
			62	1304.4	1188.4	92.0	1235.9	1127.2	98.4	1154.1	1053.6	104.8
			57	1183.4	1183.4	91.2	1115.1	1115.1	97.6	1046.9	1046.9	104.0

NOTES: 1.) RATINGS ARE GROSS CAPACITIES - FOR NET CAPACITIES, DEDUCT EVAPORATOR BLOWER MOTOR HEAT.
2.) AT 80 °F (26.6°C) AIR ON EVAPORATOR.
3.) COMPRESSOR KW INPUT.

BLOWER PERFORMANCE

Available External Static Pressure - IWG - For Accessories And Duct System Static Resistance
(Allowance Made For Wet Coil And Filters)

A.) 6ACPRB 30P to 6ACPSB 145P (Direct Drive)

6ACPRB 30P		6ACPRB 40P		6ACPSB 50P		6ACPSB 68P		6ACPSB 81P		6ACPSB 95P		6ACPSB 108P		6ACPSB 125P		6ACPSB 145P	
DD 9-7		DD 9-7		DD 9 - 9		DD 9 - 9		DD 10 - 10		DD 10 - 10		2 x (DD 10 - 10)		2 x (DD 10 - 10)		2 x (DD 10 - 10)	
CFM	ESP	CFM	ESP	CFM	ESP	CFM	ESP	CFM	ESP	CFM	ESP	CFM	ESP	CFM	ESP	CFM	ESP
900	1.11	1300	0.88	1400	0.88	1900	0.82	2400	0.96	2400	0.87	3000	1.06	3400	0.84	3900	1.27
1000	1.04	1400	0.73	1500	0.77	2000	0.68	2500	0.75	2500	0.64	3100	1.01	3500	0.77	4000	1.22
1100	0.95	1500	0.50	1600	0.63	2100	0.58	2600	0.56	2600	0.46	3200	0.99	3600	0.71	4100	1.17
1200	0.82	1600	0.18	1700	0.40	2200	0.47	2700	0.30	2700	0.19	3300	0.94	3700	0.65	4200	1.14

B.) 6ACPSB 160P to 1520P

RPM	CFM											FAN MODEL	
	SP	BHP	SP	BHP	SP	BHP	SP	BHP	SP	BHP			
6ACPSB 160P													15-15
	4000		4400		4600		4800		5000				
650	0.39	1.08	0.32	1.25	0.28	1.34	0.23	1.44	0.17	1.53			
750	0.72	1.36	0.68	1.55	0.64	1.65	0.60	1.76	0.56	1.87			
850	1.07	1.68	1.04	1.90	1.02	2.01	1.00	2.14	0.97	2.27			
950	1.44	2.04	1.43	2.29	1.42	2.43	1.40	2.56	1.38	2.70			
6ACPSB 190P													15-15
	4000		4400		4800		5000		5200				
700	0.48	1.22	0.41	1.40	0.31	1.59	0.27	1.70	0.21	1.40			
800	0.82	1.52	0.77	1.72	0.70	1.95	0.67	2.07	0.62	2.19			
900	1.18	1.85	1.14	2.09	1.10	2.34	1.07	2.48	1.04	2.62			
1000	1.56	2.25	1.54	2.51	1.51	2.79	1.50	2.95	1.47	3.10			
6ACPSB 220P													15-15
	4600		5000		5400		5800		6200				
800	0.76	1.83	0.70	2.07	0.60	2.32	0.48	2.59	0.35	2.89			
900	1.15	2.21	1.10	2.48	1.03	2.76	0.94	3.07	0.83	3.40			
1000	1.55	2.64	1.53	2.95	1.48	3.27	1.41	3.61	1.32	3.97			
1100	1.98	3.14	1.98	3.47	1.95	3.83	1.89	4.20	1.83	4.61			
6ACPSB 250P													18-13
	5600		6000		6400		6800		7200				
600	0.43	1.99	0.34	2.21	0.23	2.45	-	-	-	-			
700	0.93	2.51	0.85	2.78	0.77	3.06	0.67	3.35	0.55	3.67			
800	1.45	3.10	1.40	3.42	1.33	3.75	1.26	4.09	1.18	3.96			
900	2.01	3.77	1.97	4.13	1.93	4.51	1.87	4.71	1.80	5.33			
6ACPSB 290P													18-13
	6500		7000		7500		8000		8500				
700	0.82	3.13	0.70	3.57	0.55	3.91	0.37	4.33	0.17	4.77			
800	1.40	3.83	1.30	4.27	1.18	4.74	1.04	5.33	0.87	5.75			
900	1.99	4.61	1.93	5.12	1.84	5.66	1.72	6.22	1.59	6.83			
1000	2.63	5.47	2.65	6.05	2.52	6.67	2.43	7.31	2.33	7.99			
6ACPSB 320P													18-18
	7200		7600		8000		8400		8800				
700	0.86	3.21	0.80	3.46	0.74	3.74	0.67	4.03	0.59	4.33			
800	1.37	3.96	1.33	4.27	1.28	4.59	1.22	4.92	1.16	5.27			
900	1.92	4.83	1.89	5.18	1.85	5.54	1.81	5.93	1.76	6.33			
1000	2.50	5.80	2.48	6.20	2.45	6.61	2.42	7.04	2.39	7.49			
6ACPSB 380P													18-18
	7600		8400		9200		10000		10800				
600	0.40	2.77	0.24	3.23	0.06	3.76	-	-	-	-			
700	0.88	3.47	0.76	4.03	0.61	4.64	0.41	5.29	0.21	6.01			
800	1.41	4.26	1.31	4.92	1.19	5.64	1.03	6.39	0.85	7.22			
900	1.96	5.18	1.90	5.93	1.80	6.74	1.67	7.61	1.52	8.55			
6ACPSB 435P													450x450 (mm)
	9200		10400		11500		12400		13200				
700	0.72	4.48	0.47	5.39	0.16	6.31	-	-	-	-			
800	1.26	5.53	1.08	6.57	0.84	7.64	0.59	8.55	0.33	9.47			
900	1.82	6.78	1.70	7.92	1.52	9.11	1.32	10.18	1.11	11.21			
1000	2.38	8.17	2.32	9.48	2.19	10.79	2.06	12.00	1.88	13.12			
6ACPSB 480P													500x500 (mm)
	10400		11200		12000		12800		13600				
600	0.65	4.18	0.54	4.66	0.41	5.18	0.26	5.74	0.09	6.34			
700	1.21	5.35	1.13	5.92	1.03	6.52	0.91	7.16	0.77	7.85			
800	1.78	6.71	1.74	7.38	1.67	8.07	1.59	8.82	1.49	9.63			
900	2.40	8.32	2.37	9.05	2.34	9.87	2.29	10.74	2.21	11.61			

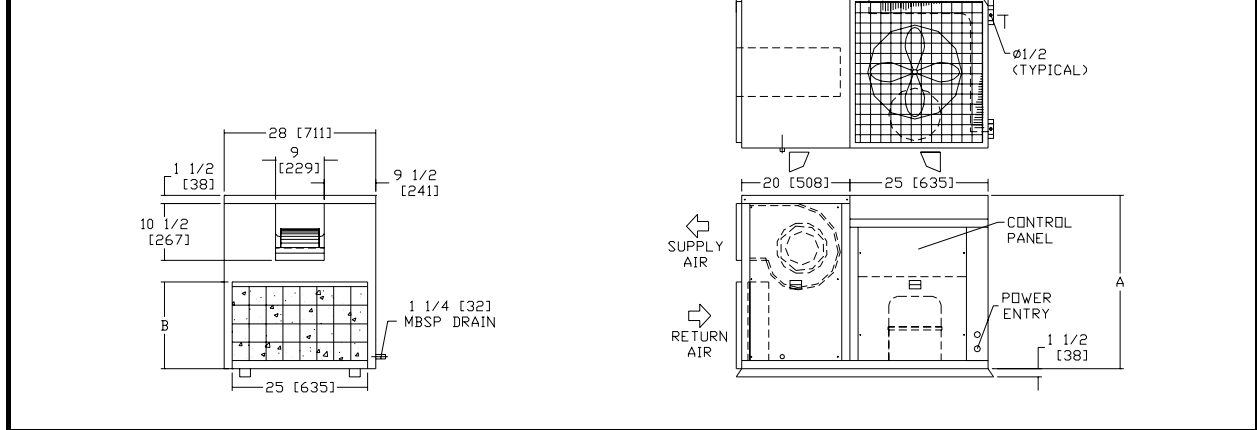
BLOWER PERFORMANCE

RPM	CFM										FAN
	SP	BHP	SP	BHP	SP	BHP	SP	BHP	SP	BHP	MODEL
6ACPSB 510P											
	12400		13200		14000		14800		15600		500x500 (mm)
600	0.31	5.45	0.14	6.03	-	-	-	-	-	-	
700	0.95	6.84	0.82	7.53	0.67	8.24	0.49	8.99	0.28	9.76	
800	1.60	8.43	1.50	9.21	1.39	10.03	1.25	10.91	1.08	11.81	
900	2.29	10.29	2.22	11.18	2.13	12.08	2.02	13.06	1.89	14.09	
6ACPSB 570P											
	12000		13000		14000		15000		16000		500x500 (mm)
600	0.38	5.18	0.18	5.89	-	-	-	-	-	-	
700	1.00	6.52	0.84	7.34	0.65	8.22	0.43	9.18	0.19	10.21	
800	1.64	8.07	1.51	8.99	1.37	10.01	1.19	11.11	0.99	12.29	
850	1.97	8.94	1.87	9.95	1.75	11.03	1.59	12.20	1.40	13.42	
6ACPSB 640P											
	14000		15000		16000		17000		18000		560x560 (mm)
600	0.87	6.81	0.75	7.49	0.60	8.21	0.45	9.027	0.26	9.87	
650	1.20	7.72	1.11	8.51	0.98	9.30	0.83	10.14	0.66	11.06	
700	1.54	8.78	1.47	9.61	1.36	10.47	1.24	11.41	1.07	12.34	
750	1.89	9.90	1.84	10.81	1.74	11.71	1.65	12.76	1.51	13.80	
6ACPSB 700P											
	15200		16200		17200		18200		19200		560x560 (mm)
650	0.98	8.68	0.84	9.49	0.68	10.35	0.49	11.257	0.29	12.21	
700	1.34	9.75	1.22	10.66	1.08	11.59	0.91	12.58	0.74	13.65	
750	1.71	10.98	1.61	11.94	1.49	12.95	1.33	13.98	1.18	15.14	
800	2.09	12.29	2.01	13.33	1.91	14.42	1.78	15.56	1.62	16.70	
6ACPSB 760P											
	16000		17000		18000		19000		20000		560x560 (mm)
650	0.91	9.33	0.75	10.17	0.58	11.085	0.39	12.052	0.15	13.00	
700	1.29	10.50	1.15	11.41	0.98	12.34	0.82	13.42	0.61	14.49	
750	1.67	11.74	1.56	12.76	1.42	13.80	1.26	14.89	1.08	16.09	
800	2.05	13.05	1.97	14.20	1.85	15.32	1.70	16.46	1.53	17.70	
6ACPSB 800P											
	16600		18100		19600		21100		22600		630x630 (mm)
600	1.57	10.05	1.52	11.28	1.45	12.60	1.35	14.00	1.22	15.51	
650	1.94	11.56	1.90	12.87	1.85	14.32	1.78	15.88	1.67	17.51	
700	2.32	13.19	2.30	14.64	2.26	16.23	2.21	17.91	2.12	19.62	
750	2.72	14.98	2.73	16.61	2.69	18.22	2.66	20.06	2.60	22.00	
6ACPSB 890P											
	19000		20500		22000		23500		25000		630x630 (mm)
600	1.41	12.02	1.31	13.38	1.18	14.58	1.03	16.41	0.85	18.09	
650	1.81	13.72	1.75	15.29	1.64	16.87	1.51	18.54	1.34	20.29	
700	2.23	15.61	2.17	17.21	2.09	18.98	1.99	20.82	1.84	22.69	
750	2.66	17.63	2.60	19.29	2.53	21.15	2.47	23.22	2.36	25.33	
6ACPSB 960P											
	20000		21500		23000		24500		26000		630x630 (mm)
600	1.38	12.96	1.26	14.36	1.12	15.89	0.94	17.50	0.74	19.21	
650	1.79	14.72	1.70	16.29	1.60	18.02	1.44	19.74	1.27	21.60	
700	2.22	16.68	2.16	18.43	2.05	20.14	1.93	22.08	1.79	24.11	
750	2.65	18.74	2.61	20.63	2.54	22.59	2.43	24.61	2.31	26.77	
6ACPSB 1020P											
	22800		24300		25800		27300		28800		710x710 (mm)
550	1.56	14.55	1.49	15.84	1.40	17.24	1.29	18.63	1.16	20.13	
600	2.02	16.95	1.97	18.39	1.88	19.82	1.80	21.42	1.68	23.01	
650	2.50	19.61	2.46	21.16	2.39	22.75	2.32	24.44	2.23	26.25	
700	3.00	22.53	2.96	24.14	2.91	25.90	2.87	27.83	2.79	29.74	
6ACPSB 1140P											
	23200		24800		26400		28000		29600		710x710 (mm)
500	1.18	12.72	1.08	13.97	0.96	15.29	0.84	16.77	0.69	18.28	
550	1.63	14.92	1.54	16.26	1.44	17.71	1.34	19.35	1.21	21.01	
600	2.08	17.28	2.02	18.81	1.94	20.42	1.86	2.21	1.74	23.97	
650	2.58	20.06	2.52	21.65	2.46	23.41	2.38	25.25	2.29	27.23	
6ACPSB 1340P											
	28000		30000		32000		34000		36000		800x800 (mm)
450	1.30	15.75	1.23	17.42	1.14	19.15	1.02	20.96	0.89	22.90	
500	1.82	18.86	1.75	20.62	1.67	22.52	1.58	24.61	1.47	26.78	
550	2.35	22.23	2.31	24.28	2.24	26.34	2.16	28.61	2.06	30.95	
600	2.91	25.98	2.87	28.14	2.83	30.51	2.78	33.11	2.69	35.64	
6ACPSB 1520P											
	33000		34500		36000		37500		39000		800x800 (mm)
450	0.96	20.07	0.87	21.56	0.77	23.03	0.66	24.56	0.54	26.20	
500	1.50	23.55	1.42	25.18	1.33	26.79	1.24	28.53	1.12	30.25	
550	2.07	27.43	3.00	29.21	1.93	31.04	1.85	32.93	1.75	34.87	
600	2.67	31.73	2.62	33.74	2.56	35.73	2.49	37.78	2.40	39.89	

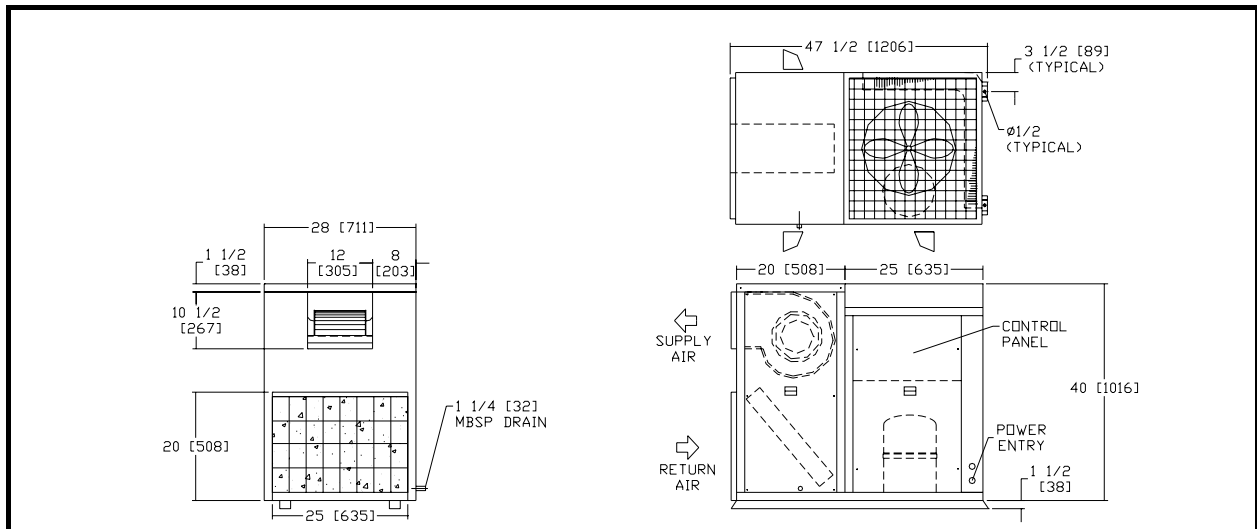
DIMENSIONAL DATA

6ACPRB 30P, 40P

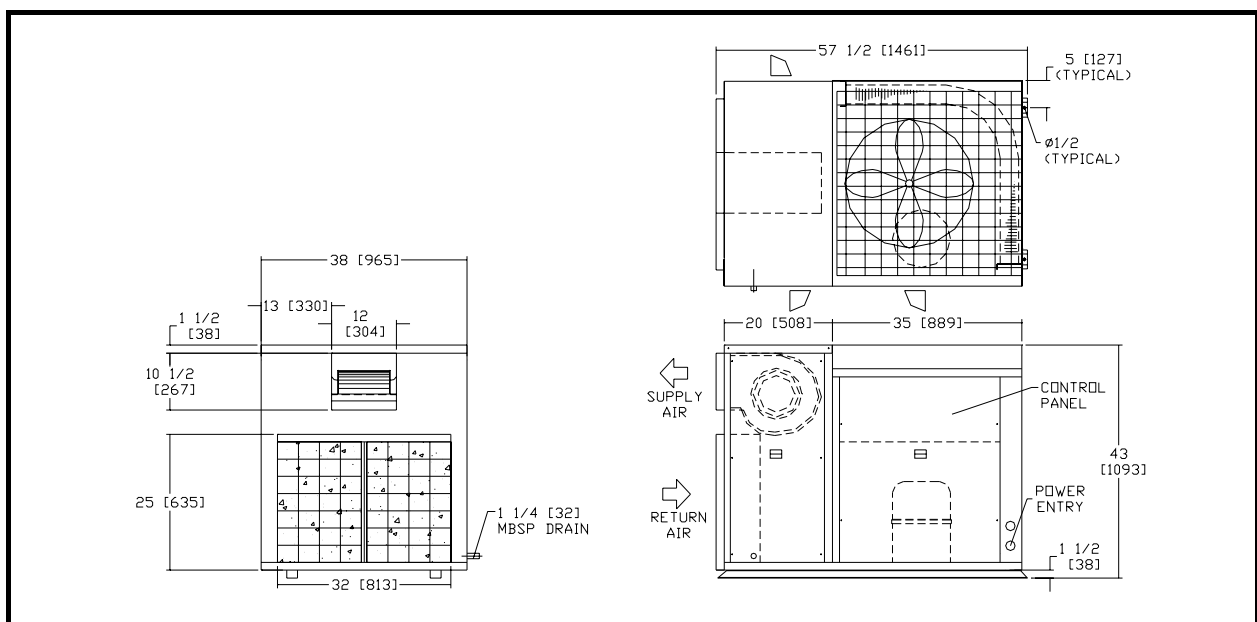
MODEL	A	B
6ACPRB 30P	32 [813]	16 [406]
6ACPRB 40P	40 [1016]	20 [508]



6ACPSB 50P



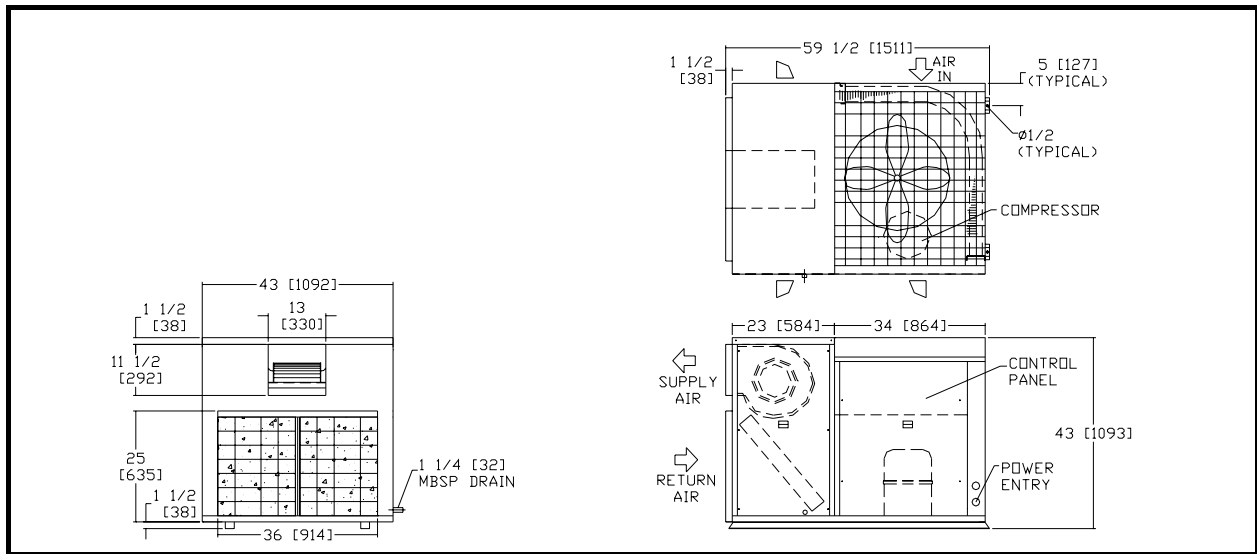
6ACPSB 68P



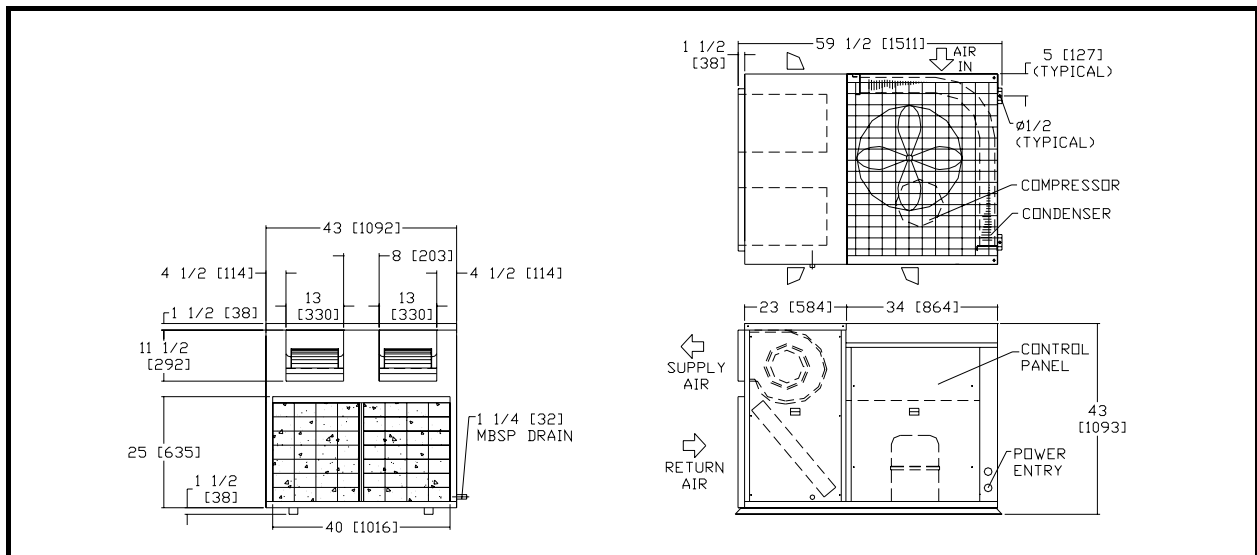
NOTE: ALL DIMENSIONS ARE IN INCHES [MM].

DIMENSIONAL DATA

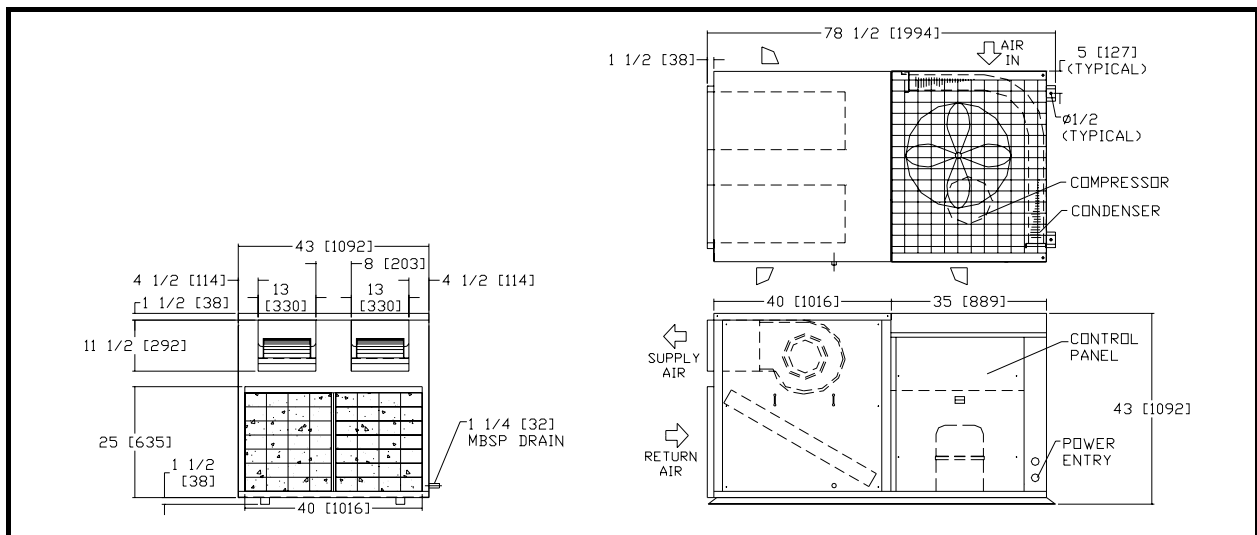
6ACPSB 81P, 95P



6ACPSB 108P, 125P



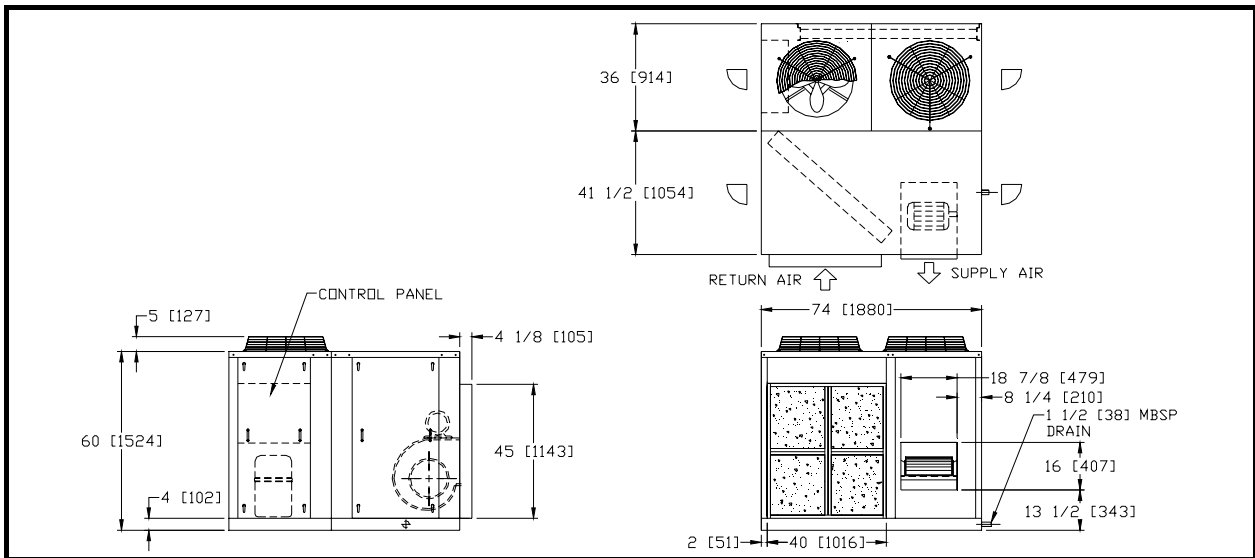
6ACPSB 145P



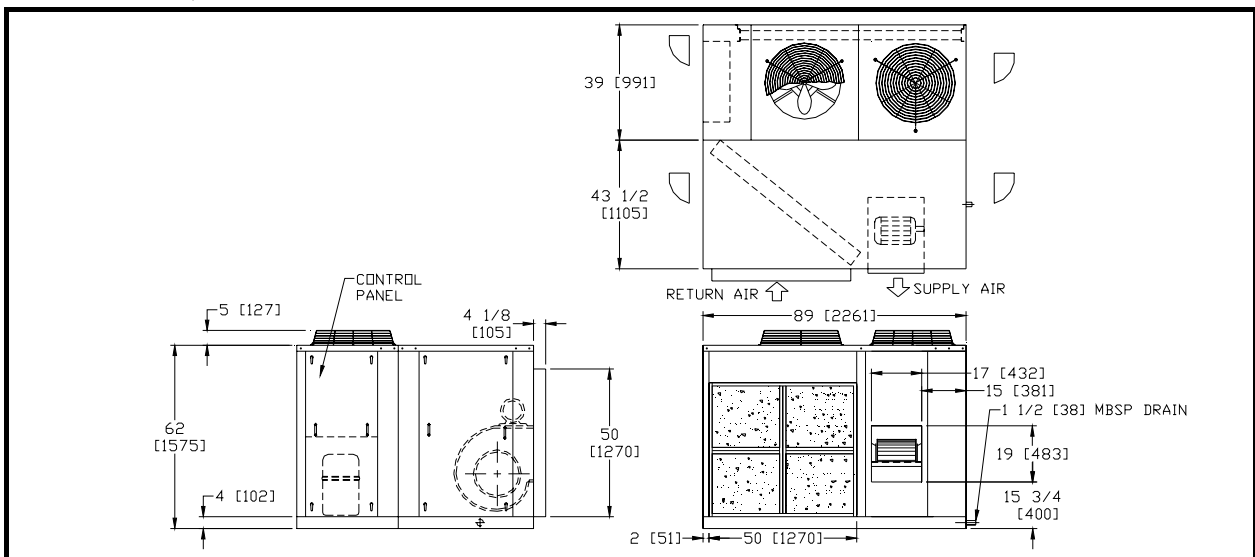
NOTE: ALL DIMENSIONS ARE IN INCHES[MM].

DIMENSIONAL DATA

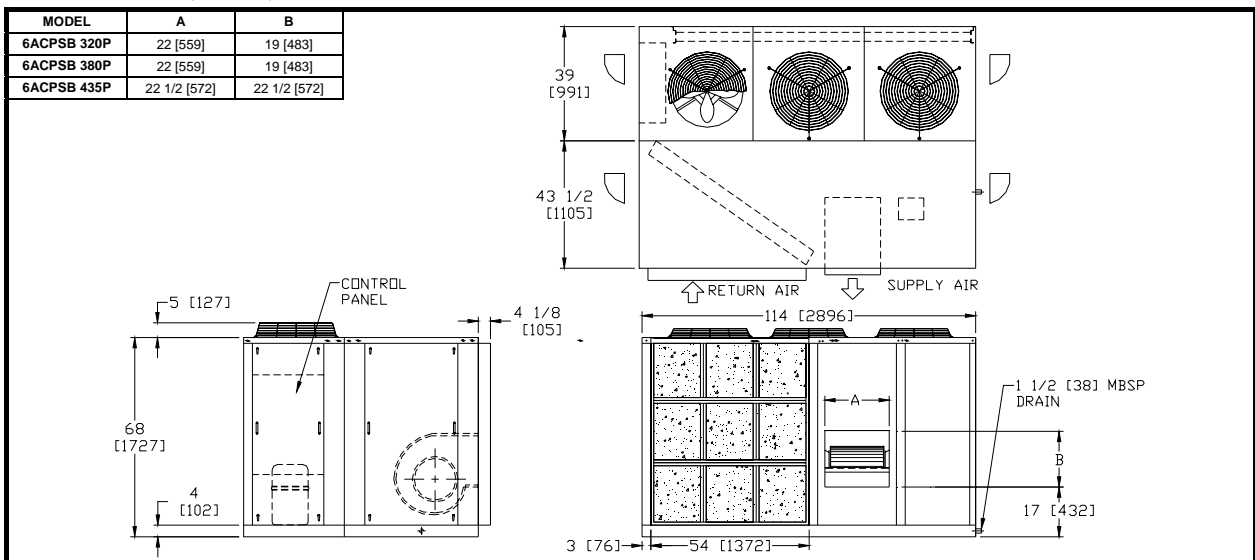
6ACPSB 160P, 190P, 220P



6ACPSB 250P, 290P



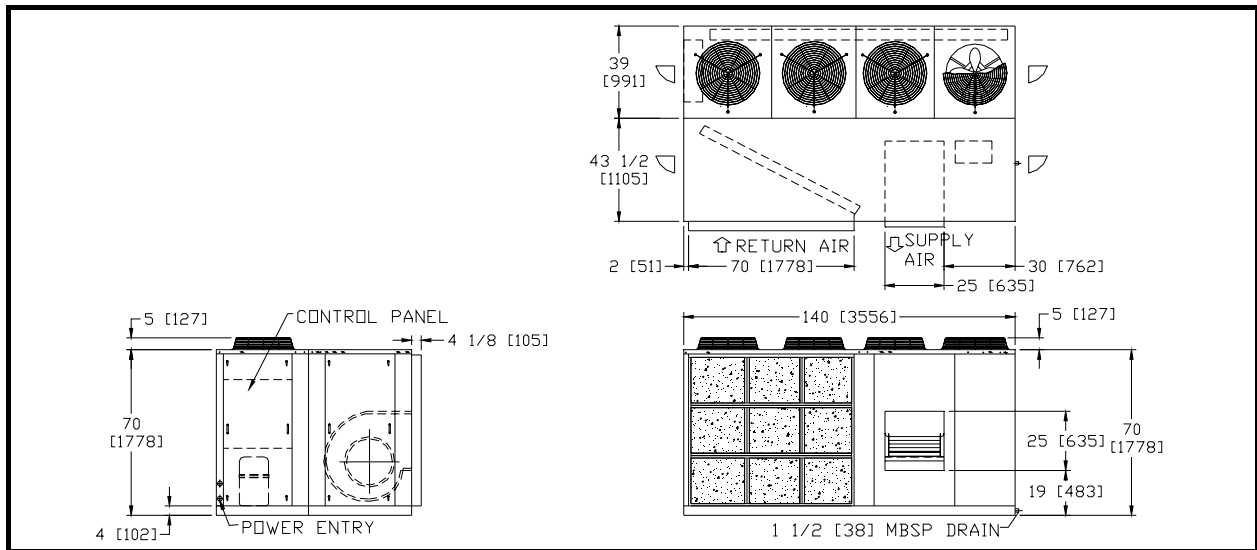
6ACPSB 320P, 380P, 435P



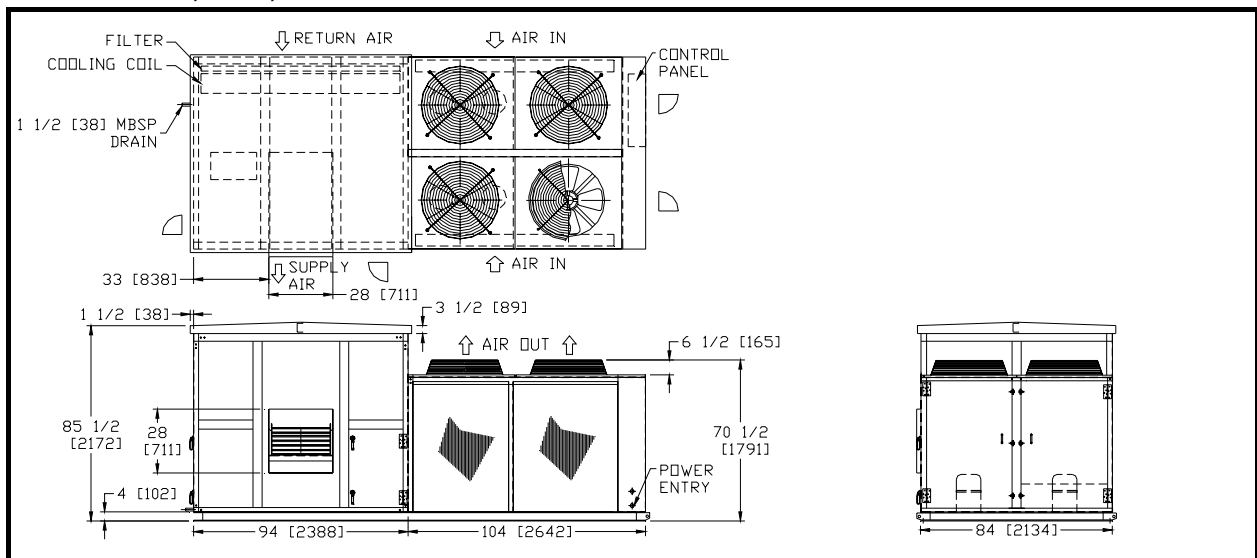
NOTE: ALL DIMENSIONS ARE IN INCHES[MM].

DIMENSIONAL DATA

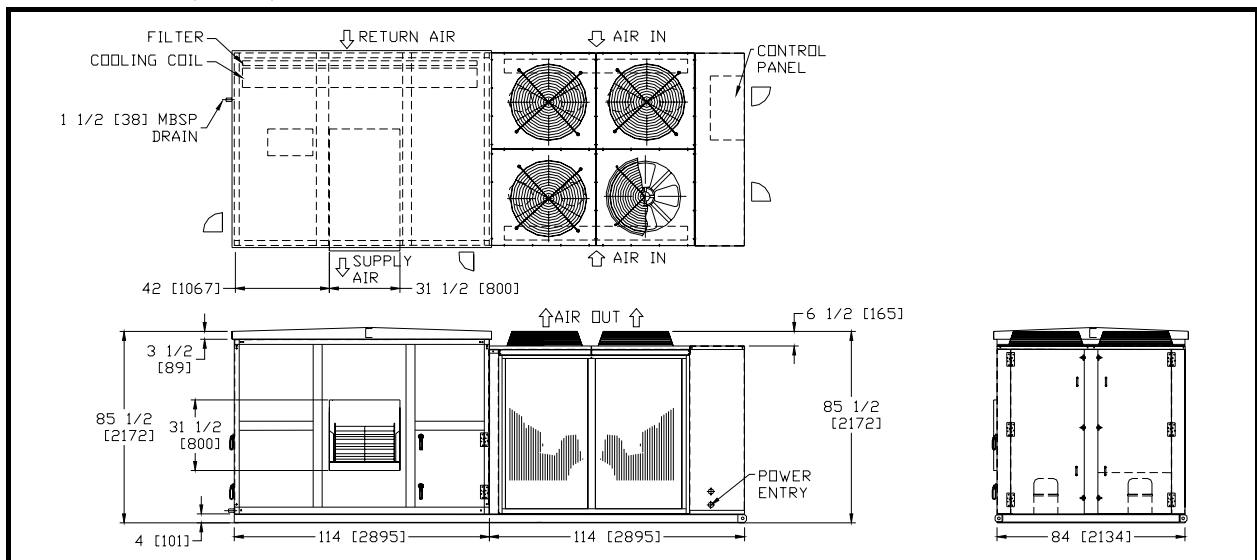
6ACPSB 480P, 510P, 570P



6ACPSB 640P, 700P, 760P



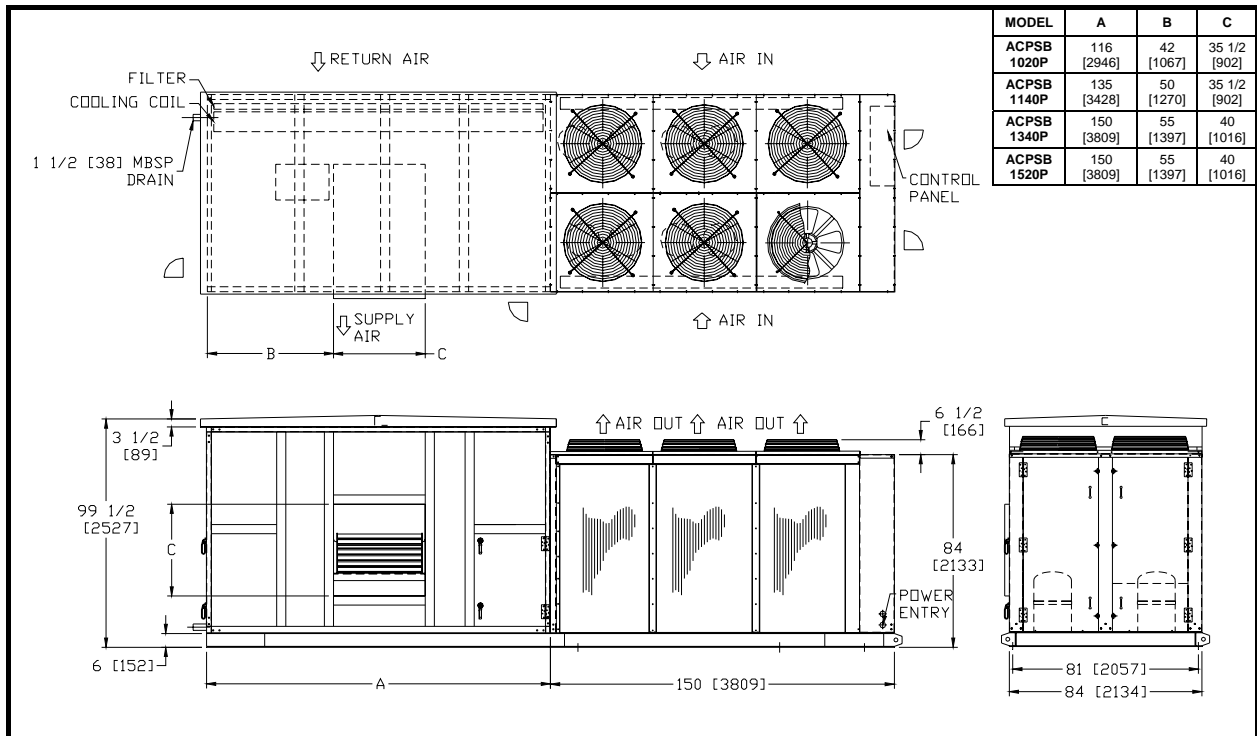
6ACPSB 800P, 890P, 960P



NOTE: ALL DIMENSIONS ARE IN INCHES[MM].

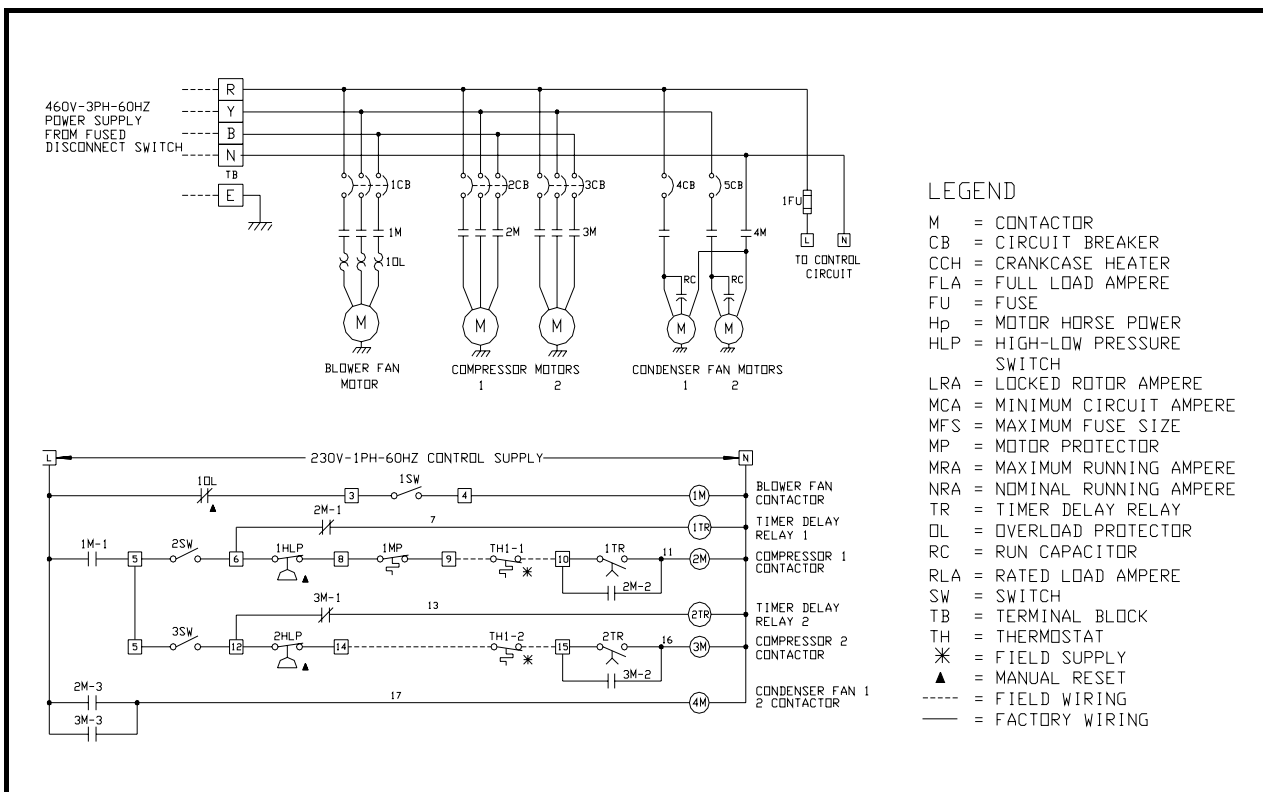
DIMENSIONAL DATA

6ACPSB 1020P, 1140P, 1340P, 1520P



NOTE: ALL DIMENSIONS ARE IN INCHES[MM].

TYPICAL WIRING SCHEMATIC





Americas

United States of America

175 South Street,
West Hartford,
CT 06110, USA

Tel: 1-860-249 8671
Fax: 1-860-953 3300

Europe

United Kingdom

8 Downley Road,
Havant, Hampshire,
England PO9 2JD

Tel: 44-23-9247 7700
Fax: 44-23-9245 0396

Africa

South Africa

No. 57 Sovereign Drive
Route 21 Corporate Park
Irene, Pretoria
South Africa

Tel: 27-12-345 4202
Fax: 27-12-345 4203

China

No. 1 Dunham-Bush Road,
Laishan District,
Yantai,
Shandong Province,
China 264003

Tel: 86-535-658 8999
Fax: 86-535-658 1999

Asia

Singapore

2, Kallang Pudding Road #07-07,
Mactech Industrial Building,
Singapore 349307

Tel: 65-6842 2012
Fax: 65-6842 2013

Middle East & North Africa

United Arab Emirates

Al Murad Tower, Office 506
Al-Barsha 1,
P. O. Box # 30922,
Dubai, UAE

Tel: 971-4-451 9899
Fax: 971-4-451 9881

Russia & CIS

Russia

Lot 11, Novinskiy Boulevard,
Moscow,
121099 Russian Federation

Tel: 7-499-255 6953
Fax: 7-499-255 6953

Malaysia

Lot 5755-6, Kidamai Industrial Park,
Bukit Angkat,
43000 Kajang,
Selangor Darul Ehsan,
Malaysia

Tel: 603-8924 9000
Fax: 603-8739 5020

DUNHAM-BUSH

info@dunham-bush.com
www.dunham-bush.com

Products that perform...By people who care